

**VC 6000
HYDRAULIC WORMBOX CAPSTAN
SUPPLEMENT MANUAL**

©

**COPYRIGHT 1991 MAXWELL MARINE
LTD
ALL RIGHTS RESERVED.
PATENTS PENDING.
PRINTED IN NEW ZEALAND.**

**MAXWELL MARINE INTERNATIONAL LTD
reserve the right to make engineering
refinements on all products without
notice.**

Manual Product
Code No: P103107
27/04/06

VC 6000 HYDRAULIC WORMBOX WINDLASS

	<u>Page Number</u>
CONTENTS	1
Specifications	2
Installation drawing	3
Winch assembly drawing	4
Winch assembly bom	5
Drive assembly drawing	6
Drive assembly bom	7

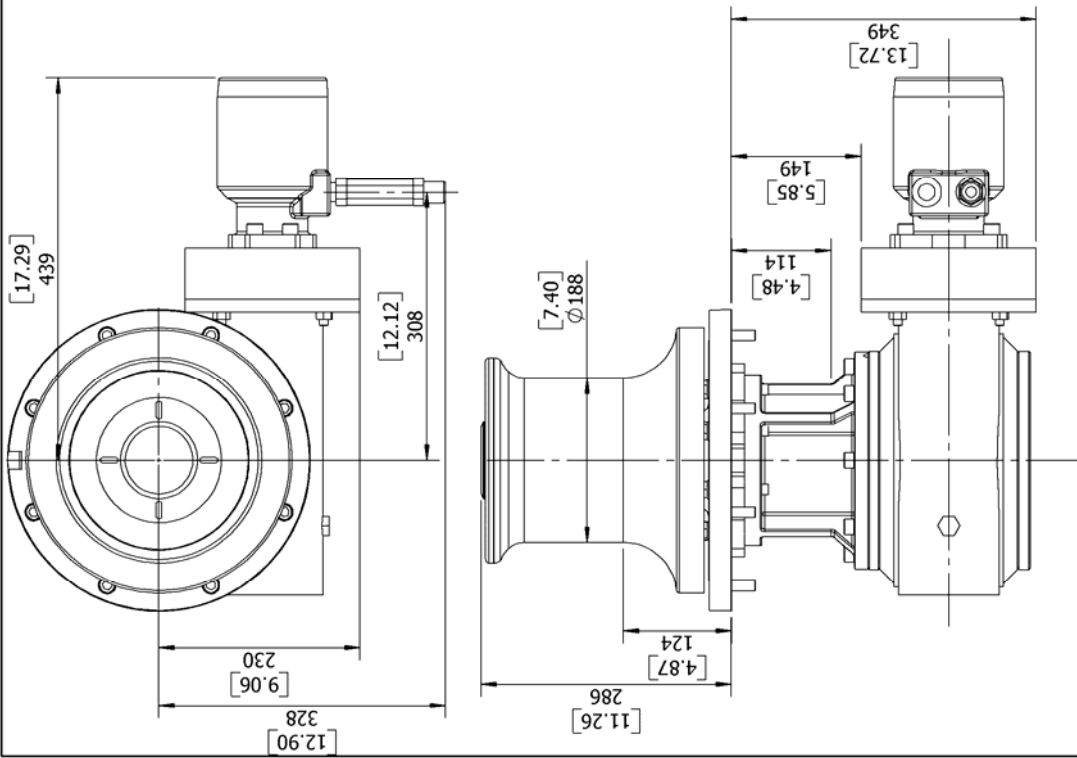
**SPECIFICATIONS: MAXWELL VC 6000 HYDRAULIC WORMBOX
CAPSTAN**

Rated Capacity	2720 Kgf	6000 lbf
Speed	14 metre/min	46ft/min
Recommended Maximum Line Size	38mm	1-1/2"
Recommended oil flow	65 Litres / min	17.2 US Gal / min
Maximum oil flow	76 Litres / min	20.1 US Gal / min
Maximum hydraulic pressure	138 bar	2000 PSI
Minimum hydraulic line size	22mm	7/8"

Port Connection Details Thread: 7/8" – 14 UNF Straight Thd.

Oil Viscosity I.S.O. 32 - I.S.O. 68 @ 20-50°C
Suitable Oils: Shell Rimula X15W-40;
 Shell Myrina M15W-40;
 Penzoil SAE 10W-40;
 Texaco 2109 SAE 15W
 Texaco 1814 SAE 10W-40
 BP HLPHM 32-68;
 Castrol Hyspin AWS 32-68;
 BP Autrans T0410.

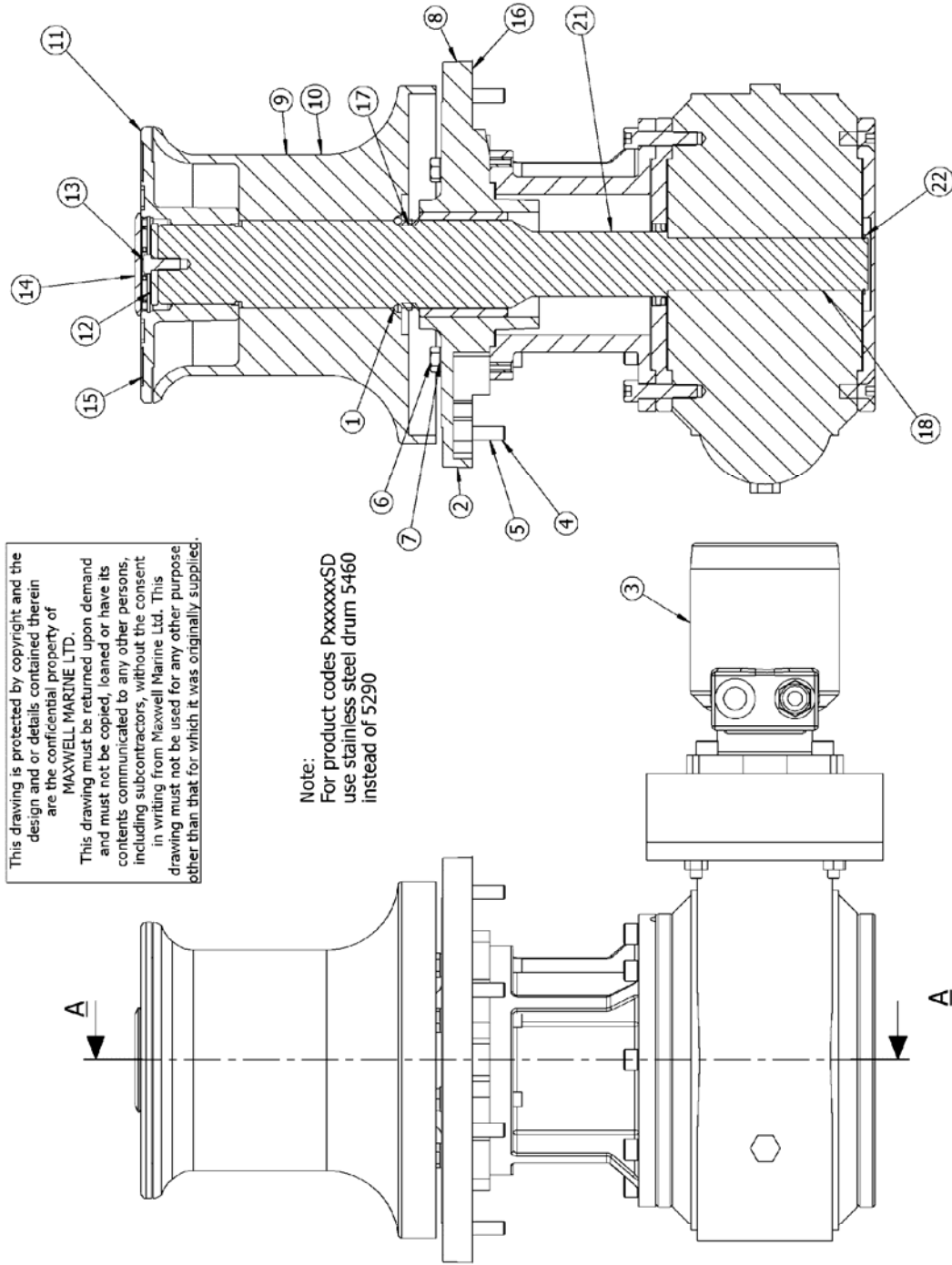
This drawing is protected by copyright and the design and or details contained therein are the confidential property of MAXWELL MARINE LTD.
 This drawing must be returned upon demand and must not be copied, loaned or have its contents communicated to any other persons, including subcontractors, without the consent in writing from Maxwell Marine Ltd. This drawing must not be used for any other purpose other than that for which it was originally supplied.



Revision		Change		Made on Des/Drawn		Description		Assy No.	
2.00	Initial Issue	#####	J.E	#####	J.E	VC 6000 hydraulic wormbox	P103020		
P103020		BVT/View		Sheet Size		Scale			
A4		1:7		Sheet 1 of 1					

This drawing is protected by copyright and the design and or details contained therein are the confidential property of MAXWELL MARINE LTD.
 This drawing must be returned upon demand and must not be copied, loaned or have its contents communicated to any other persons, including subcontractors, without the consent in writing from Maxwell Marine Ltd. This drawing must not be used for any other purpose other than that for which it was originally supplied.

Note:
 For product codes PxxxxxSD
 use stainless steel drum 5460
 instead of 5290



SECTION A-A
 SCALE 1 : 5

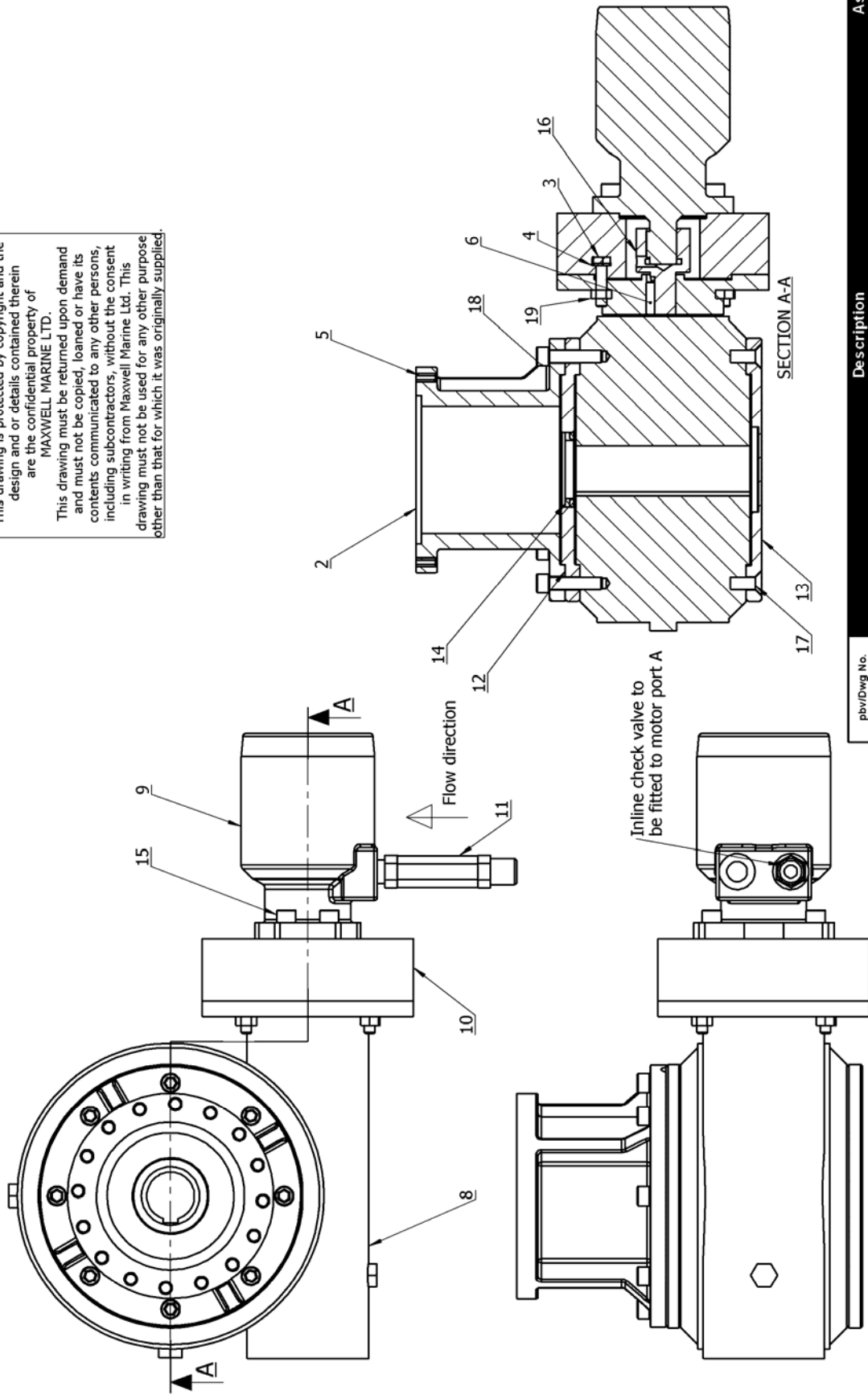
Pb/Dwg No.		P101700	
BVT View		BVT View	
Sheet Size		A4	
Scale		1:5	
Sheet 1 of 1		Sheet 1 of 1	
Revision		2.00	
Initial Issue		JE	
Change		#####	
Made on Des/Drawn		JE	
Assy No.		P103020	
Description		VC 6000 hyd wormbox	

P103020 VC 6000 wormbox hydraulic

Revision 2.00

ITEM NO.	QTY.	PART NO.	DESCRIPTION
1	1	2689	retension clip 8000 11000
2	1	P16436	Base plate assembly - VC6000
3	1	P102177	Motor & gearbox assy wormbox and hyd motor
4	8	SP0160	Cap Screw - M12 x 40lg
5	8	3012	bush
6	8	SP3201	Bolt - Hex Hd - M12 x 70 SS
7	8	SP0475	Washer - spring - M12
8	1	2048	grease nipple
9	1	3005	Key
10	1	5290	Capstan - VC 6000
11	1	3698	drum retaining nut VC 6000
12	1	1474	retaining washer
13	1	SP0281	Bolt - Hex Hd - M10 x 25 SS
14	1	2647	cap 6000 8000 11000 series
15	1	3818	label VC 6000
16	1	3978	gasket vc8000
17	1	SP0719	V75 vee ring
18	1	5265	Key 14x9x140 mm
19	1	P19135	Manual - VC 6000 hydraulic
20	1	5292	Crate - VC 6000 DC
21	1	6414	Main shaft - VC 6000 hyd wormbox
22	1	SP3504	45mm Ext circlip ss

This drawing is protected by copyright and the design and or details contained therein are the confidential property of MAXWELL MARINE LTD.
 This drawing must be returned upon demand and must not be copied, loaned or have its contents communicated to any other persons, including subcontractors, without the consent in writing from Maxwell Marine Ltd. This drawing must not be used for any other purpose other than that for which it was originally supplied.



Revision		Change		Made on Des/Drawn		Assy No.	
4.00	Initial issue	#####	JE	#####	JE	P102177	P102177
pbv/Dwg No.		BVT View		Sheet Size		Scale	
P102177		A4		1:4		Sheet 1 of 1	
Motor and gearbox 6000 hyd wormbox							

P102177
Revision 4.00

ITEM NO.	QTY.	PART NO.	DESCRIPTION
1	1	3041	label 2200 3000 3500 4000 5000
2	1	5262	Spacer tube - 6000 DC
3	4	SP0280	M10 x 40 hex hd bolt st st
4	4	SP0466	M10 spring washer
5	8	SP0589	M12 x 1 1-2 D x 1.75 Pitch helicoil
6	1	5280	key cima motor 8 x 7
8	1	SP4123	Gearbox Bonfiglioli VF130 20-1
9	1	SP1067	Hyd. motor ME 09
10	1	6409	adapter plate VC 6000
11	1	P100415	inline check valve + male adapters
12	1	6410	sealing plate VF130
13	1	6411	sealing plate lower VF130
14	1	SP0722	55 x 70 x 8 oil seal
15	4	SP0160	m12 x 40lg cap screw
16	1	6412	adpater shaft vc 6000
17	4	SP3702	M12 x 30 SS csk socket screw
18	8	SP0180	M12 x 50 SS capscrew
19	4	SP0371	M10 SS hex nut