

6000

Introduction • Topworks • Drives
• Band Brakes and options

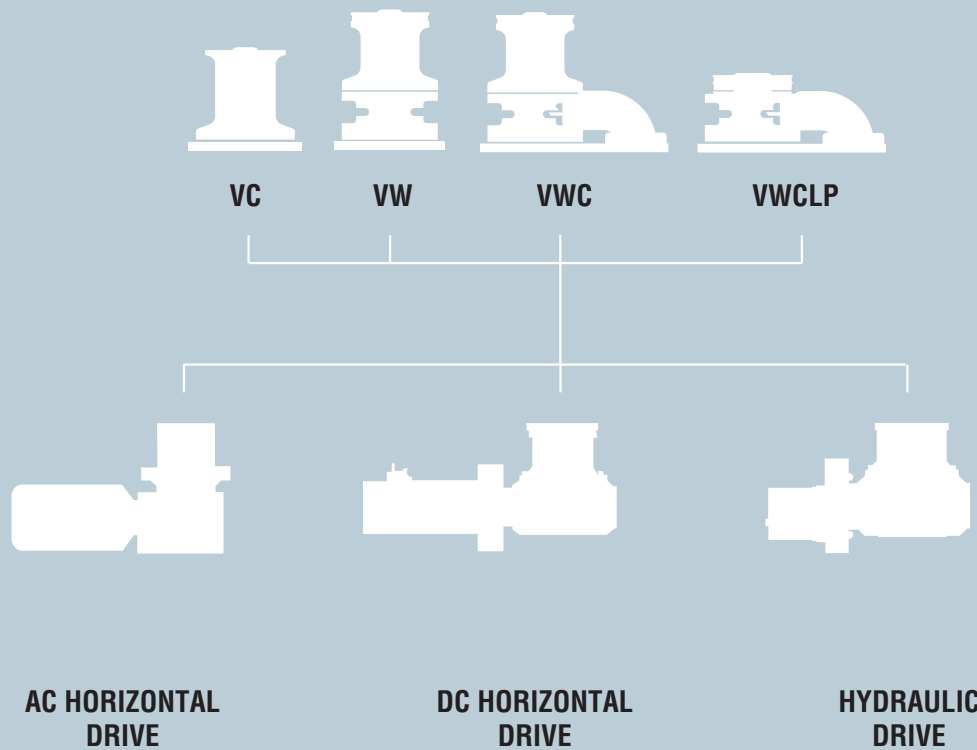


Anchoring Solutions

Windlasses

Capstans

Accessories



Disclaimer

All information is subject to change without notice. For any critical requirement, use only specifically quoted figures, available on request.

MAXWELL

6000

Introduction • **Topworks** • Drives
• Band Brakes and options

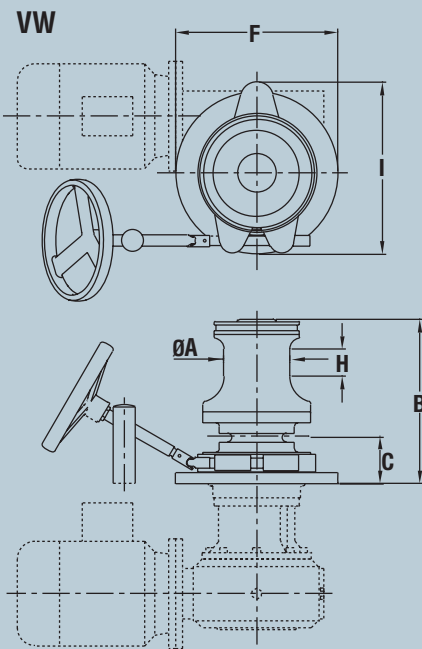


Anchoring Solutions

Windlasses

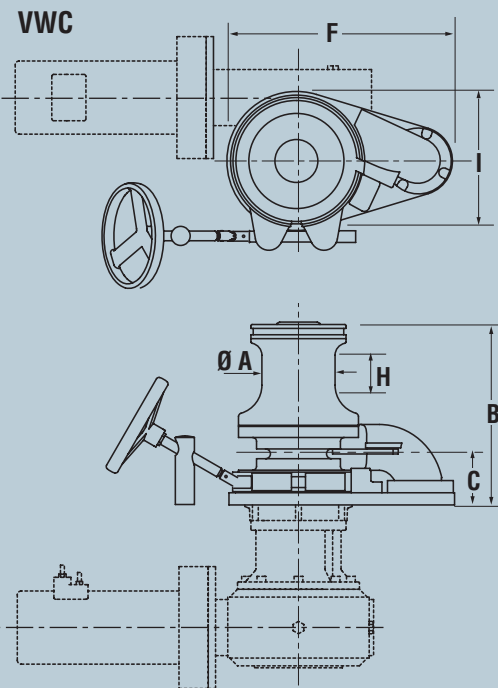
Capstans

Accessories



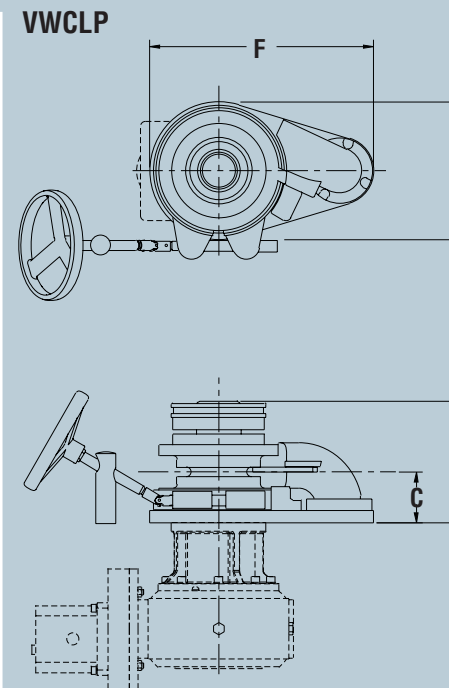
Maximum chain size:

short link 19mm
stud link 16mm



Maximum chain size:

short link 19mm
stud link 16mm



Maximum chain size:

short link 19mm
stud link 16mm

	VW	VWC	VWCLP
A	150mm 5 7/8"	150mm 5 7/8"	-
B	390mm 15 3/8"	400mm 15 3/4"	268mm 10 1/2"
C	104mm 4 1/8"	104mm 4 1/8"	104mm 4 1/8"
F	370mm 14 1/2"	462mm 18 3/16"	462mm 18 3/16"
H	67mm 2 5/8"	67mm 2 5/8"	-
I	400mm 15 3/4"	285mm 11 1/4"	285mm 11 1/4"

MAXWELL

6000

Introduction • **Topworks** • Drives
• Band Brakes and options



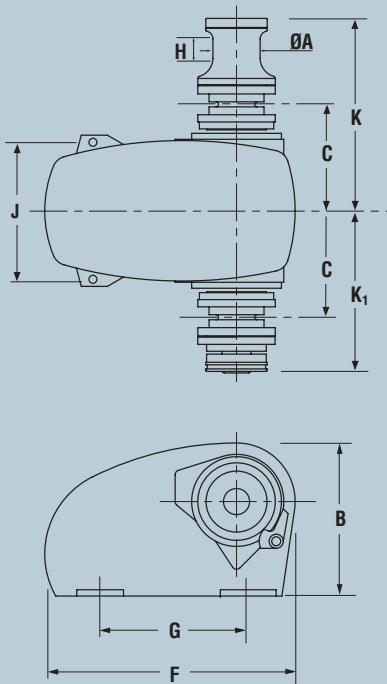
Anchoring Solutions

Windlasses

Capstans

Accessories

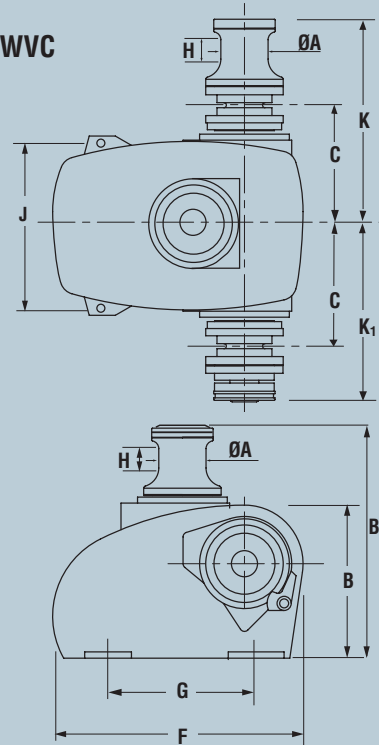
HWC



Maximum chain size:

short link – 16mm stud link – 12.5mm

HWVC



Maximum chain size:

short link – 16mm stud link – 12.5mm

	HWC	HWVC
A	150mm 5 7/8"	150mm 5 7/8"
B	486mm 19 1/8"	486mm 19 1/8"
B1	-	750mm 29 1/2"
C	334mm 13 3/16"	414mm 16 5/16"
F	795mm 31 5/16"	795mm 31 5/16"
G	520mm 20 1/2"	520mm 20 1/2"
H	62mm 2 7/16"	62mm 2 7/16"
H1	-	95mm 3 3/4"
J	435mm 17 3/16"	595mm 23 7/16"
K	615mm 24 1/4"	695mm 27 3/8"
K1	485mm 19 1/8"	565mm 22 1/4"

Drawings above depict measurements for various options. They do not necessarily depict actual chainwheel/capstan configurations. Contact Maxwell for options best suited to your application.

MAXWELL

6000

Introduction • Topworks • **Drives**
• Band Brakes and options



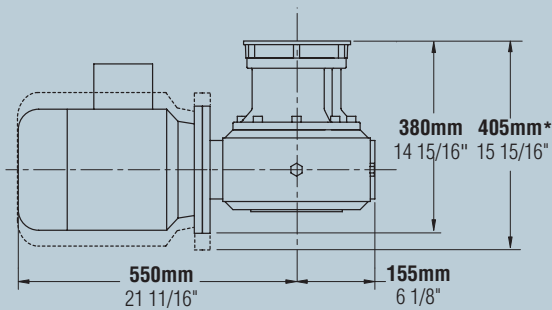
Anchoring Solutions

Windlasses

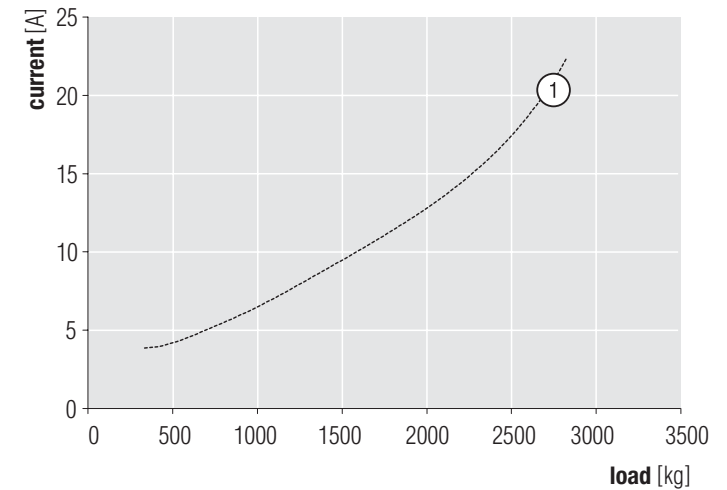
Capstans

Accessories

AC Drive Specifications



	90° Drive
Line Speed	13 m/min 43 ft/min
Pull Capacity cont. run ①	1286 kg 2829 lb
Pull Capacity stall	2730 kg 6006 lb
Current (At 400V)	
Rated Load	8.2 A
start DOL	55 A
Motor Power	4 kW 5.5 HP
Weight of Windlass	247 kg 544 lb



NOTE: Performance data are given for 400V 50Hz power supply.
They may vary for other voltages and frequencies.

MAXWELL

6000

Introduction • Topworks • **Drives**
• Band Brakes and options



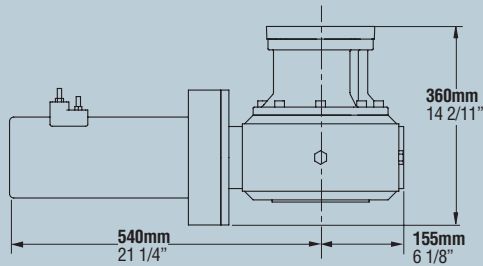
Anchoring Solutions

Windlasses

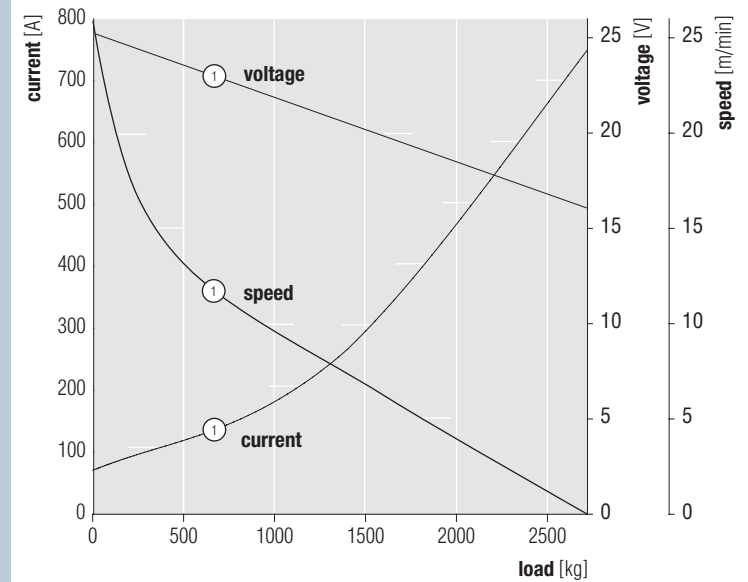
Capstans

Accessories

DC Drive Specifications



Pull Capacity	680 kg
cont. run (1)	1499 lb
Pull Capacity	2730 kg
stall	6018 lb
Motor Power	3.5 kW
	4.8 HP
Weight of Windlass	195 kg
	429 lb



MAXWELL

6000

Introduction • Topworks • **Drives**
• Band Brakes and options



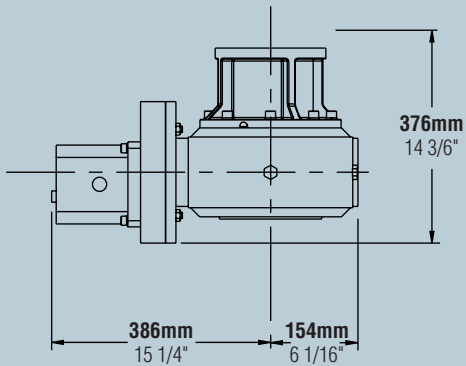
Anchoring Solutions

Windlasses

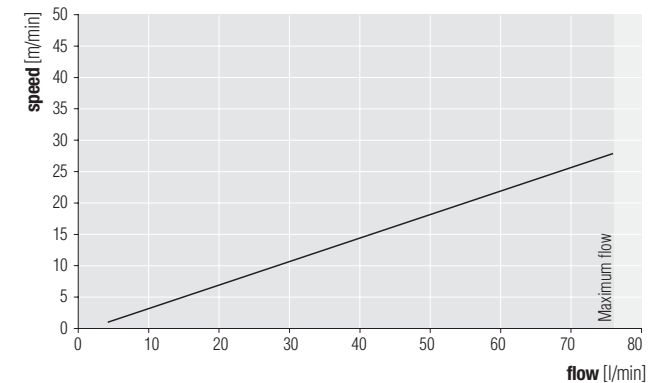
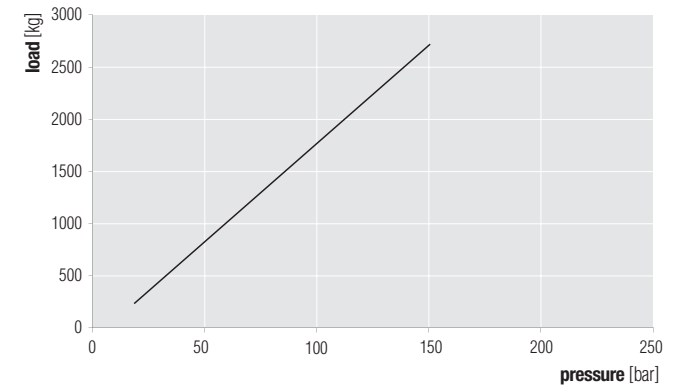
Capstans

Accessories

Hydraulic Drive Specifications



Maximum Pressure - p	150 bar 2177 psi
Pull Capacity	2727 kg 6000 lb
Recommended Flow - Q	41 l/min 11 USgal/min
Line Speed @ Q	14 m/min 47 ft/min
Maximum Flow	76 l/min 20 USgal/min
Weight of Windlass	153 kg 337 lb



MAXWELL

6000

Introduction • Topworks • Drives
• **Band Brakes and options**

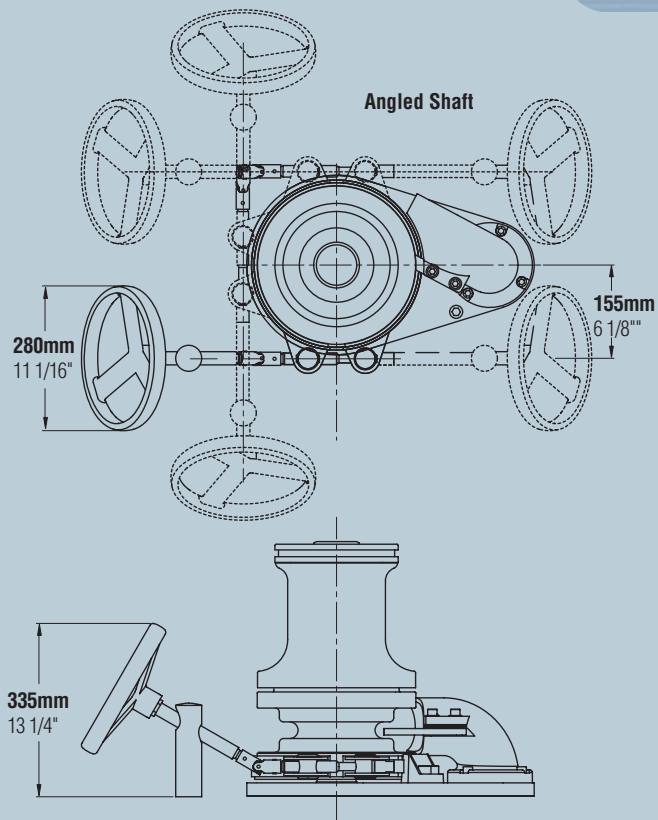


Anchoring Solutions

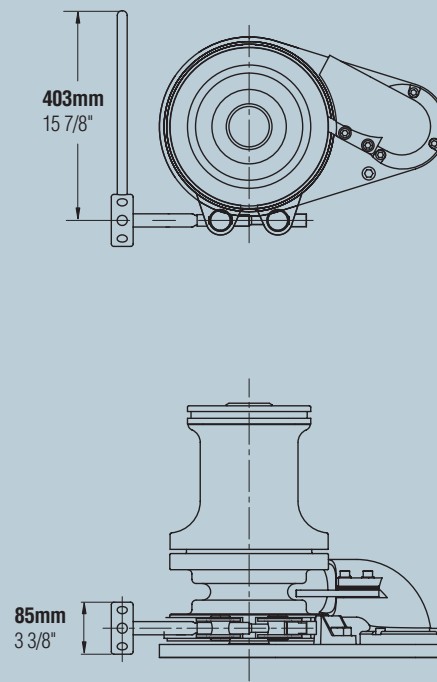
Windlasses

Capstans

Accessories



Horizontal Shaft (confined installation)



Custom band brake positions (dotted lines) are available on request and incur a surcharge

Options

- Available with and without band brake
- Above deck components in stainless steel or chromed bronze
- Can accommodate custom chain sizes if sample provided
- Various position of band brake handles
- Clockwise and counter-clockwise versions
- Drive can be positioned in different orientations relative to deckplate

MAXWELL