



The VW Series of anchor winches are designed for traditional rope and chain combination anchor rodes, where manual transfer of the rode from the rope warping drum to the chainwheel is required.

Features and benefits

- Provides the versatility of operating two anchors from one winch.
- Functional rope hauling from any direction using independent MAX-grip™ snag-free warping drum with clutch disengagement of chainwheel for positive control of all ropes.
- Permits use of traditional shackle and thimble rope and chain connection.
- Allows alternative mounting horizontally on a fore and aft bulkhead inside chain locker for below deck installation.
- High-quality finish on above deck components, manufactured from marine grade stainless steel (AISI 316) and chromed bronze, for long term durability.
- Cone type brake/clutch mechanism permits manual 'Free Fall' anchoring. Cone clutches, unlike dog clutches, provide smooth progressive engagement ensuring safe operator control.
- Chainwheel locking pawl (except on VW500).
- Simplified through deck installation by modular design and precise alignment of gearbox to the topworks utilising marine-grade stainless steel (AISI 316) bolts.
- Anodized aluminium gearbox and spacer on 500, 1000 and 1500 models.
- Heavy duty, dual direction motor, designed for marine winches.
- Easily disassembled for servicing.

STANDARD EQUIPMENT REQUIRED FOR SINGLE DIRECTION CONTROL

- Emergency crank handle/clutch control lever (included, except with VW500)
- Chainwheel to suit chain specified chain size (included)
- Circuit breaker/isolator panel (not included)
- Windlass electrical controls (not included)

OPTIONS

1. AutoAnchor™ Equipment
2. Foot Switches
3. Chain Stopper*
4. Chain Snubber
5. Extra deck clearance kit
6. Hydraulic motor (except on 500)
7. Up/Down remote control panel
8. Circuit breaker/isolator panel
9. Single or dual direction solenoid

All standard and optional control accessories can be found on page 314.

SPECIFICATIONS

MODEL	500*	VW10-8 8 mm (5/16")	VW10-10 10 mm (3/8")	1000	1500	2500	3500
Maximum Pull/Lift	227 kg 500 lbs	700 kg 1540 lbs	850 kg 1870 lbs	700 kg 1540 lbs	850 kg 1870 lbs	1135 kg 2500 lbs	1590 kg 3500 lbs
Static Hold	600 kg 1320 lbs	1500 kg 3300 lbs	1500 kg 3300 lbs	3300 lbs	1500 kg 3300 lbs	2200kg 4840lbs	2200 kg 4840 lbs
Chain Short Link	6/7 mm 1/4"	8 mm 5/16"	10 mm 3/8"	6-10 mm 1/4" -3/8"	6-10 mm 1/4" -3/8"	9-11 mm 5/16" -3/8"	10-13 mm 3/8"-1/2"
Line Speed**	18 m/min 59 ft/min	24 m/min 79 ft/min	24 m/min 79 ft/min	18 m/min 59 ft/min	18 m/min 59 ft/min	15 m/min 50 ft/min	15 m/min 50 ft/min
Power Supply (DC)	12 or 24 V	12 or 24 V	12 or 24 V	12 or 24 V	12 or 24 V	12 or 24 V	12 or 24 V
Motor (Watts)	600 W	1000 W	1200 W	1000 W	1200 W	1200 W	1200 W
Net Weight (Electric)	10 kg 22 lbs	19 kg 42 lbs	20 kg 44 lbs	22 kg 50 lbs	22 kg 50 lbs	38 kg 84 lbs	48 kg 105 lbs
Hydraulic Pressure	N/A	N/A	N/A	100 bar 1450 psi	138 bar 2000 psi	138 bar 2000 psi	138 bar 2000 psi
Hydraulic Flow	N/A	N/A	N/A	20 l/min 5.3USgal/min	20 l/min 5.3USgal/min	36 l/min 9.5USgal/min	42 l/min 11USgal/min
Net Weight (Hyd)	N/A	N/A	N/A	15kg 34lbs	15kg 34lbs	32kg 70lbs	40kg 88lbs

* Available USA only.

** Winch performance when hauling rope with capstan. Chain speed may vary depending on size of chain and gypsy.

DIMENSIONS

MODEL	500	VW10-8	VW10-10	1000	1500	2500	3500
A	65 mm 2 9/16"	66 mm 2 5/8"	66 mm 2 5/8"	80 mm 3 1/8"	80 mm 3 1/8"	94 mm 3 11/16"	110 mm 4 5/16"
B	151 mm 6"	168 mm 6 5/8"	168 mm 6 5/8"	198 mm 7 3/4"	198 mm 7 3/4"	251 mm 9 15/16"	276 mm 10 7/8"
C	40 mm 1 5/8"	43 mm 1 3/4"	43 mm 1 3/4"	59 mm 2 3/8"	59 mm 2 3/8"	80 mm 3 5/32"	83 mm 3 9/32"
D	173 mm 6 7/8"	252 mm 10"	252 mm 10"	252 mm 10"	252 mm 10"	219 mm 8 5/8"	219 mm 8 5/8"
E	244 mm 9 5/8"	272 mm 10 3/4"	272 mm 10 3/4"	272 mm 10 3/4"	272 mm 10 3/4"	281 mm 11 1/8"	281 mm 11 1/8"
F	133 mm 5 1/4"	172 mm 6 7/8"	172 mm 6 7/8"	165 mm 6 1/2"	165 mm 6 1/2"	190 mm 7 1/2"	270 mm 10 5/8"
G (Std deck clearance)**	57 mm 2 1/4"	100 mm 4"	100 mm 4"	100 mm 4"	100 mm 4"	85 mm 3 11/32"	85 mm 3 11/32"
G (Extra deck clearance) ^	N/A	N/A	N/A	150 mm 6"	150 mm 6"	190 mm 7 1/2"	190 mm 7 1/2"
H (Working height of drum for rope warping)	37.5 mm 1 1/2"	44 mm 1 3/4"	44 mm 1 3/4"	44 mm 1 3/4"	44 mm 1 3/4"	33 mm 1 5/16"	54 mm 2 1/8"
I	133 mm 5 1/4"	140 mm 5 5/8"	140 mm 5 5/8"	165 mm 6 1/2"	165 mm 6 1/2"	194 mm 7 5/8"	270 mm 10 5/8"

**For VW1000 and VW1500 shorter deck clearance version also available at 50 mm (2")

^ A deck clearance increase will also increase the 'D' measurement by the same increment.

***Important:** Maxwell windlasses must be used in conjunction with a chain stopper or alternative snubbing device to take the load off the windlass while laying at anchor. The chain stopper and alternative snubbing system should also be used to secure the anchor in the fully raised position.

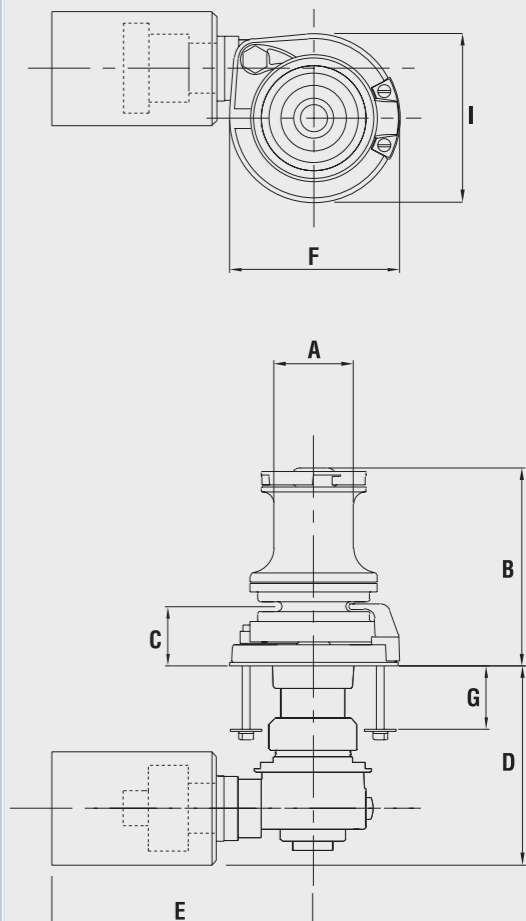


VW10

3 YEAR
Limited Warranty

VW10 WINDLASS FOR USE WITH SPLICED ROPE/CHAIN

The VW10 evolved from the demand for a vertical windlass that could be used in a horizontally installed configuration (refer image above), but which would also, interactively handle a rope/chain rode. The chainwheels on traditional VW models could be used with chain only rodes. The VW10, capable of automatically handling up to 10 mm (3/8") chain and 16 mm (5/8") rope, is ideally suited for use in sailing boat anchor lockers, where space considerations are critical. Quick and easy to install and available with or without independant warping capstan, the VW10 is destined to become an instant hit in this unique niche market.



VW1500

