



HAHN 47 SPORTFISHER - VAUDREY MILLER YACHTS NZ LTD.



Liberty Capstan Model

3 YEAR
Limited Warranty



Liberty Low Profile Model

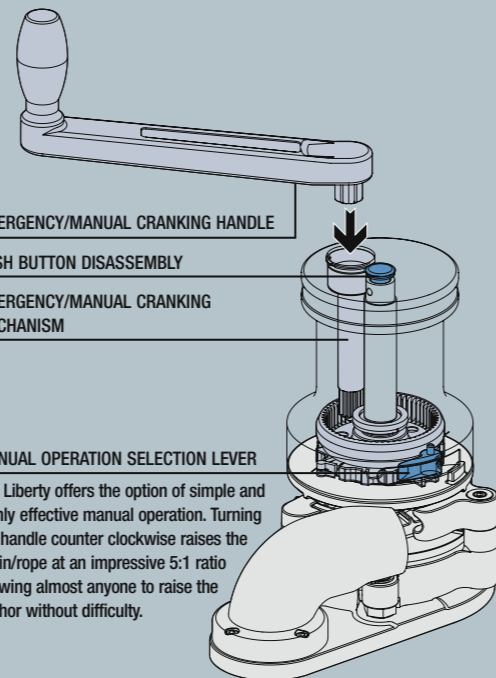
SPECIFICATIONS

Model	RC1700 12V	RC1700 24V	RC2500 12V	RC2500 24V
Maximum Pull	770kg 1700lbs	770kg 1700lbs	1135kg 2500lbs	1135kg 2500lbs
Chain Short Link**	8mm 5/16"	8mm 5/16"	10mm 3/8"	10mm 3/8"
Rope Size** 3 strand or 8 plait	16mm 5/8"	16mm 5/8"	20mm 3/4"	20mm 3/4"
Chain Speed (at 100kg load)	19m/min 62ft/min	23m/min 75ft/min	18m/min 59ft/min	16m/min 52ft/min
Rope Speed (at 100kg load)	18m/min 59ft/min	20m/min 66ft/min	16m/min 52ft/min	15m/min 49ft/min
Power Supply (DC)	12V	24V	12V	24V
Motor Power	1000W	1000W	1200W	1500W
Net Weight (Capstan version)	45kg 99lbs	45kg 99lbs	46kg 100lbs	46kg 100lbs
Net Weight (Low Profile version)	39kg 86lbs	39kg 86lbs	41kg 90lbs	41kg 90lbs

** When ordering please specify your specific rope and chain, combination rode

DIMENSIONS

Model	RC1700 12V	RC1700 24V	RC2500 12V	RC2500 24V
A	105mm 4 1/8"	105mm 4 1/8"	105mm 4 1/8"	105mm 4 1/8"
B ¹ (Capstan version)	292mm 11 1/2"	292mm 11 1/2"	292mm 11 1/2"	292mm 11 1/2"
B ² (Low Profile version)	187mm 7 3/8"	187mm 7 3/8"	187mm 7 3/8"	187mm 7 3/8"
C	86mm 3 7/16"	86mm 3 7/16"	86mm 3 7/16"	86mm 3 7/16"
D (Std deck clearance)	265mm 10 7/16"	265mm 10 7/16"	265mm 10 7/16"	265mm 10 7/16"
E	308mm 12 1/8"	318mm 12 9/16"	318mm 12 9/16"	339mm 13 3/8"
F	302mm 11 7/8"	302mm 11 7/8"	302mm 11 7/8"	302mm 11 7/8"
G (Std deck clearance)	100mm 4"	100mm 4"	100mm 4"	100mm 4"
G (Extra deck clearance)	200mm 8"	200mm 8"	200mm 8"	200mm 8"
H	60mm 2 3/8"	60mm 2 3/8"	60mm 2 3/8"	60mm 2 3/8"
I	190mm 7 15/32"	190mm 7 15/32"	190mm 7 15/32"	190mm 7 15/32"



EMERGENCY/MANUAL CRANKING HANDLE

PUSH BUTTON DISASSEMBLY

EMERGENCY/MANUAL CRANKING MECHANISM

MANUAL OPERATION SELECTION LEVER

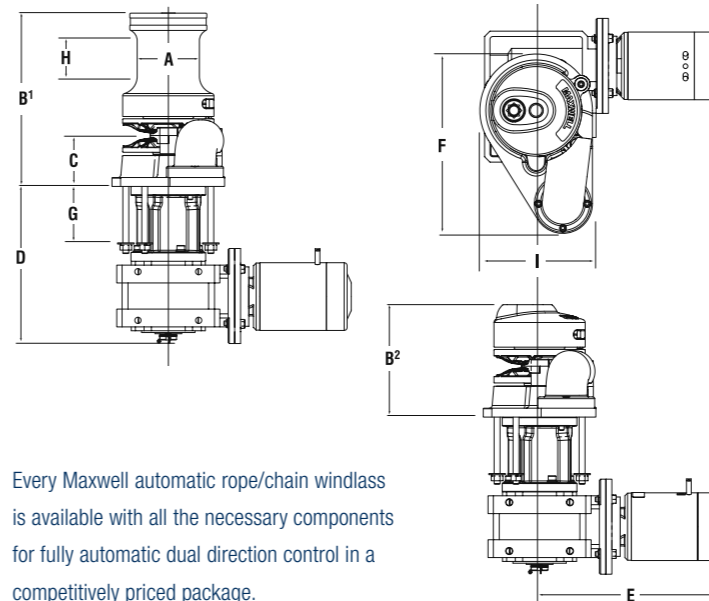
The Liberty offers the option of simple and highly effective manual operation. Turning the handle counter clockwise raises the chain/rope at an impressive 5:1 ratio allowing almost anyone to raise the anchor without difficulty.

The Liberty Series incorporates Maxwell's latest stylish innovation in automatic rope/chain windlass technology. Retaining the classic open design styling more appropriate on larger boats, the Liberty RC1700 and RC2500 represent the next generation of rope/chain windlass evolution in every respect

Features

- Feature packed with patented innovation and styling, Liberty reaches the same level of superb performance as all other Maxwell marine industry icons.
- Traditional Maxwell design and revolutionary technology ensure classic good looks and trouble-free operation.
- Balance force pressure arm system eliminates rope/chain snags.*
- Rope/chain gypsy design ensures maximum grip on rope splice.*
- Simply activated emergency/manual crank mechanism.*
- Geared manual crank for easy emergency anchor retrieval.
- Push button disassembly for easy servicing.
- Interchangeability of rope/chain gypsy and pressure arm assemblies between 1700 and 2500 models allows for use of either rope/chain combination options with either model.
- 'Fast Fit' deck plate design saves installation time and money and allows easy retrofitting without disassembly of the windlass.

* Maxwell innovated patented designs.



Every Maxwell automatic rope/chain windlass is available with all the necessary components for fully automatic dual direction control in a competitively priced package.

Important: Maxwell windlasses must be used in conjunction with a chain stopper and/or alternative snubbing device to take the load off the windlass while laying at anchor. The chain stopper and alternative snubbing system should also be used to secure the anchor in the fully raised position while under way.

STANDARD EQUIPMENT REQUIRED FOR DUAL DIRECTION CONTROL

- Circuit breaker/isolator panel
- Dual direction solenoid pack
- Up/Down remote control panel
- Emergency (manual) crank/clutch release handle
- Maxwell Chain Spacer Kit

OPTIONS

- Foot Switches
- Extra deck clearance kit
- Traditional Bronze Appearance
- AutoAnchor™ Equipment
- Compact Remote
- Chain Stopper
- Chain Snubber



Liberty Capstan Model