

**3 YEAR**  
Limited Warranty

The sleek, compact HRCFF 6-7-8 are Maxwell's horizontal versions of the latest innovative vertical RC6 and RC8 automatic rope/chain windlasses. The HRCFF Series are packed with original and proven features including patented rode management technology developed by Maxwell.



HRCFF

**Features and benefits**

- Simple 'bolt down' installation ensures effortless and rapid on-deck installation and set up.
- Guaranteed trouble free rode transition from rope to chain, by means of an innovative, proven and patented pressure arm system, within a safe enclosed design.
- Integrated composite nylon, through deck hawse pipe for ease of installation and smooth, snag-free operation.
- High efficiency spur gearbox incorporating a robust non-backwind mechanism.
- High speed, jam-free retrieval of rope and chain controlled from a remote panel mounted Up/Down switch.
- Emergency 'free fall' function in the event of onboard power failure. Activated by the supplied, emergency 'Free Fall' lever.
- Revolutionary Wave Design™ chainwheel - see page 299.
- Heavy duty, dual direction motor incorporating new technology features, including integrated wiring for quick electrical installation.
- Now incorporating Maxwell's automatic free-fall technology. Simply activate the windlass 'Free Fall' lever, operate your down control (helm station or footswitch) and the windlass will freefall your anchor. Ready to lift the anchor? Activate the up control and the 'free fall' device automatically disengages allowing you to power up your anchor.
- Aesthetically pleasing above deck design, encapsulating the motor and drive in a watertight case, saving space below deck and allowing simple routine maintenance.
- Die cast, marine-grade, alloy case is hard anodized for unsurpassed marine protection.

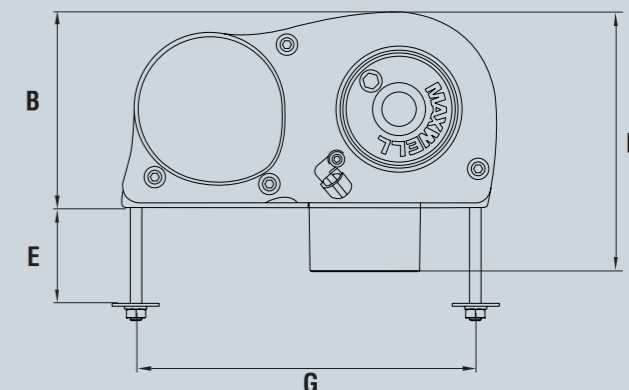
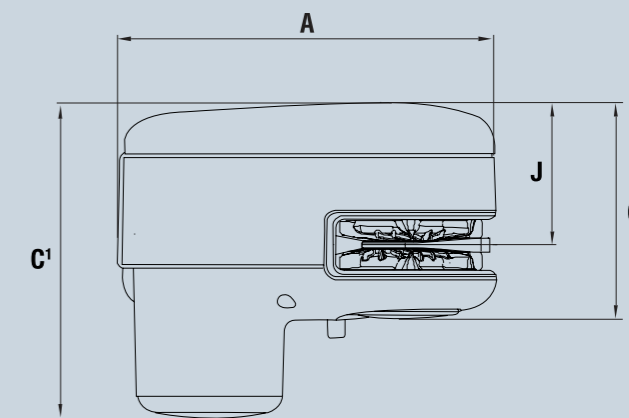
**SPECIFICATIONS**

Model	HRCFF6	HRCFF7	HRCFF8
Maximum Pull/Lift	410 kg 900 lbs	410 kg 900 lbs	410 kg 900 lbs
Static Hold	700 kg 1540 lbs	700 kg 1540 lbs	700 kg 1540 lbs
Chain Short Link	6 mm 1/4"	7 mm 1/4"	8 mm 5/16"
Rope Size (Nylon)*	12 mm (3 strand or 8 plait recommended)	12 mm 1/2"	14 mm 9/16"
Line Speed (Anchor Retrieval)	33 m/min	33 m/min	33 m/min
Nominal 30kg working load	108 ft/min	108 ft/min	108 ft/min
Power Supply (DC)	12 V	12 V	12 or 24 V
Motor Power	600 W	600 W	600 W
Net Weight	11.5 kg 25 lbs	11.5 kg 25 lbs	11.5 kg 25 lbs

\*refer to owners manual for rope size variations.

**DIMENSIONS**

All Models	mm	inches
A	256 mm	10 1/8"
B	132 mm	5 11/32"
B²	176 mm	6 7/8"
C¹	214 mm	8 7/16"
C²	147 mm	5 3/4"
E	65 mm	2 1/2"
G	230 mm	9 1/16"
J	96.4 mm	3 7/8"



**MAXWELL'S REVOLUTIONARY CHAINWHEEL**

Maxwell lead the market yet again in innovative thinking when they introduced the Wave Design™ chainwheel. This patented rope/chain wheel incorporates two unique design concepts that greatly improve the handling and control of the rope/chain spliced rode.

The outer ribs of the chainwheel are angled slightly forward ensuring that the rope and the chain are smoothly guided in the wheel during anchor retrieval. As the rope pulls into the wheel, the opposite facing inner ribs grip the rope in an undulating manner, securing the rope more firmly in a 'wave pattern' action that is far superior to the traditional 'jam cleat' manner of holding the rope compared to all other products on the market. Not only does this Wave Design™ hold the rope more securely, it is also kinder on the rope resulting in increased longevity of your anchor rode.



**STANDARD EQUIPMENT REQUIRED FOR DUAL DIRECTION CONTROL**

- Dual Direction Solenoid (included)
- Clutch Release Handle (included)
- Up/Down remote control panel (not included)
- Circuit breaker panel (not included)

**OPTIONS**

- 1. AutoAnchor™ Equipment
- 2. Compact Remote
- 3. Foot Switches
- 4. Chain Stopper
- 5. Chain Snubber

All standard and optional control accessories can be found on pages 304 - 313.

Every Maxwell HRCFF 6-7-8 windlass comes with top works, motor/gear box and dual direction solenoid. Switches and circuit breaker are available and need to be ordered separately. Refer chart on page 314.

**Important:** Maxwell windlasses must be used in conjunction with a chain stopper or alternative snubbing device to take the load off the windlass while laying at anchor. The chain stopper and alternative snubbing system should also be used to secure the anchor in the fully raised position while under way.

